

**Exedra2 Pocket Door Systems**



Exedra2 Star and Exedra2 Smart enable the simultaneous movement of two linked doors. It is a patented mechanism with assisted door extraction and door insertion, operated by a magnetically-assisted motion-control system that confers a smooth and perfectly balanced movement. With a motion-control system, the handle can be fixed at the edges of the doors, allowing effortless opening and closing with one hand.

With the aid of the electric Push kit, it is possible to use both versions on handle-less furniture. The whole mechanism is self-supporting and fixed to the side of the cabinet; there are no load-bearing frontal profiles on either the top or bottom of the cabinet, thus eliminating any need for additional central supports. Can be used in a host of applications, from walk-in wardrobes to pantry units for kitchens, home office solutions and storage.

DOUBLE pocket door system with cam-assisted door extraction and cushioned door insertion.

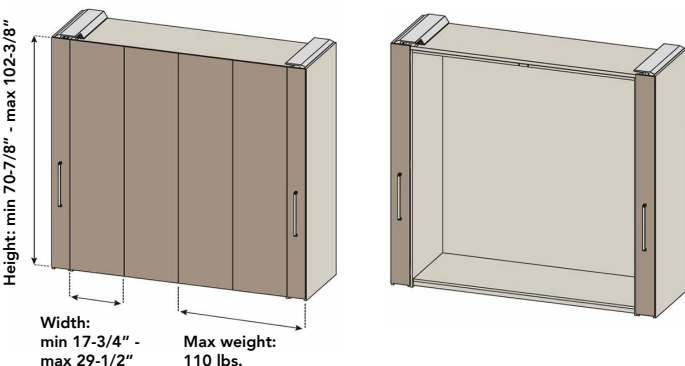
**Adjustment:**

- Vertical adjustment  $\pm$  5mm
- Horizontal adjustment  $\pm$  3.5mm
- Front adjustment:
  - upper  $\pm$  3mm
  - lower  $\pm$  2mm
- Maximum weight for single door: 55 lbs (25 Kg)
- Doors thickness: min 18mm - max 25mm
- Width of single door – Exedra2 Star: min 17-3/4" (450mm) - max 29-1/2" (750mm)
- Width of single door – Exedra2 Smart: min 21-5/8" (550mm) - max 33-7/16" (850mm)
- Doors height: min 70-7/8" (1800mm) - max 102-3/8" (2600mm)



**Exedra2 Star**

Exedra2 Star is the version where the compartment that houses the mechanism is always hidden by the cover panel which is fixed to the front of the system.



**Exedra2 Smart**

Exedra2 Smart is the version that requires less depth of the cabinet; the door edges are visible when they are folded into their compartment.

