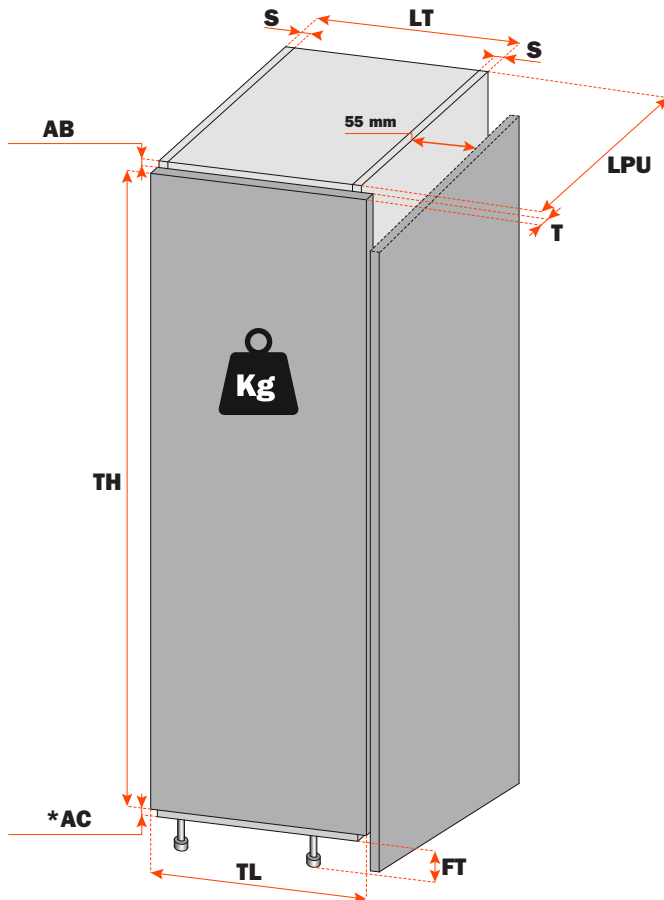


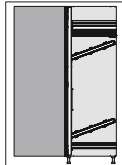
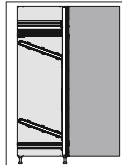
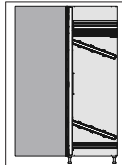
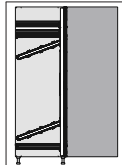
**Exedra Gravity - Order form**



<b>TH</b>	Door height - min 1100 max 3000 mm	
<b>AB</b>	Upper reveal (mm)	
<b>AC</b>	Lower reveal (mm) *	
<b>TL</b>	Door Width - min 300 max 900 mm	
<b>T</b>	Door Thickness - min 14 max 30 mm	
<b>LPU</b>	Cabinet depth - min 300 max 900 mm	
<b>LT</b>	Width of the cabinet (mm)	
<b>FT</b>	Height of the base (mm)	
<b>W</b>	Weight of the door - max 40 Kg **	
<b>Door type</b>	Wood	
	Aluminium/5 piece wood	
<b>T</b>	Thickness of cabinet sides	

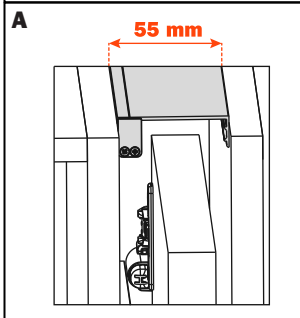
\*AC minimum 3 mm with FT=0  
\*\* With TL<750 mm and at least 5 hinges otherwise max 30 Kg

**Type and direction of opening**

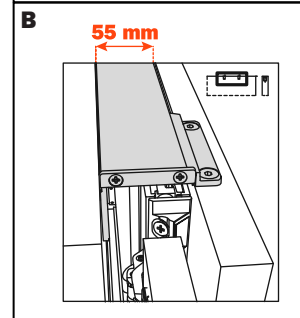
	Gravity OUT Right		Gravity OUT Left		Gravity IN Right		Gravity IN Left
Quantity		Quantity		Quantity		Quantity	

**Accessory kits**

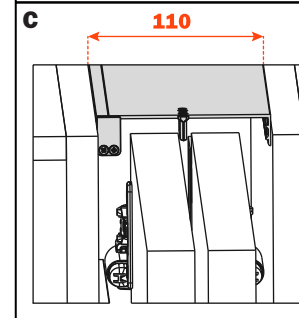
**55 mm Connection T= 12-26 mm**

**A** 

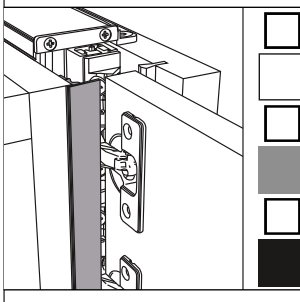
**55 mm Connection T= 27-30 mm**

**B** 

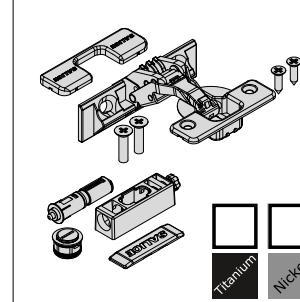
**110 mm Connection T= 12-30 mm**

**C** 

**Front cover kit**

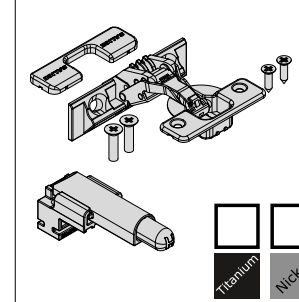


**Push To Open kit for door**



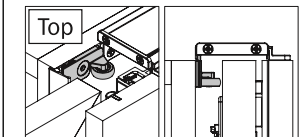
Trantrum Nickel

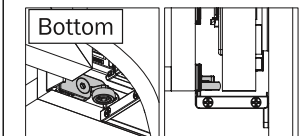
**Soft Close kit for door**



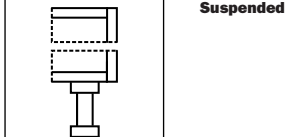
Trantrum Nickel

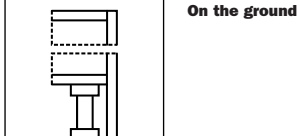
**Roller kit for aluminium door or 5 piece wood door**

**Top** 

**Bottom** 

**Side panel**

**Suspended** 

**On the ground** 

<b>Contact Name</b>	
<b>Company</b>	
<b>Date</b>	
<b>Project</b>	
<b>Distributor</b>	
<b>Note</b>	

**Mechanism characteristics:**

- Aluminium profiles: 6060T5 alloy, silver anodized.
- Components made of plastic, steel and zinc alloy.
- Mounting with clips to facilitate extraction of the mechanism in case of maintenance.
- Quick coupling hinges.

**Door features:**

- Maximum weight for each door : 88 lbs (40 Kg). (with 5/6 of hinges allowed).
- Thickness: - min. 9/16" (14 mm) - max. 1-3/16" (30 mm).
- Width: - min. 11-13/16" (300 mm) - max. 35 -7/16" (900 mm).
- Height: - min. 43-5/16" (1100 mm) - max. 118 - 7/64" (3000 mm).
- Door vertical adjustment: +4/-1 mm.
- Door horizontal adjustment: ±2 mm.
- Door front adjustment: ±4 mm.
- Recommended space below door 3 mm (1/8")
- Material:
  - a) wood or derivatives;
  - b) metal and glass frame.

**How to order the mechanism:**

415-552-5500 ~ [orders@macmurraypacific.com](mailto:orders@macmurraypacific.com)

1. Complete all the requested values in the section "cabinet dimensions" of the order form.
2. Choose the opening direction. Select the Type and direction of opening.
3. Select the Optional accessories kits

**Space required for the panel connector kit:**

- A & C** minimum 6 mm above and 6 mm below the cabinet
- B** minimum 16 mm above and below the cabinet

Send the completed "order form" page to Salice America or Salice distributor.

