



EDGE

EDGE WARDROBE LINE

DESIGN ANDREA FEDERICI



Andrea Federici

Designer

Classe 1981, laurea magistrale in Industrial Design al Politecnico di Milano.

È titolare di Andrea Federici Consulting, studio di consulenza strategica che sviluppa progetti di product design, exhibit e showroom design, graphic design e fotografia collaborando con alcuni tra i più prestigiosi brand di arredamento italiani. La forte vocazione internazionale dello studio lo porta a firmare la direzione artistica di importanti aziende in Usa, Emirati Arabi, Arabia Saudita, Cina. Ha ricevuto premi e riconoscimenti tra i quali Red Dot Design Award, Good Design Award, If Design Award, German Design Award, Archiproducts Design Award, International Design Award.

Born in 1981, master's degree in Industrial Design at the Milan Polytechnic.

He is the owner of Andrea Federici Consulting, a strategic consulting firm that develops product design, exhibit and showroom design, graphic design and photography projects, collaborating with some of the most prestigious Italian furniture brands. The studio's strong international vocation has led it to serve as the creative director for renowned furniture companies in the USA, Arab Emirates, Saudi Arabia, China. Federici has received numerous awards and recognitions, including the Red Dot Design Award, Good Design Award, If Design Award, German Design Award, Archiproducts Design Award and many others.

www.federiciconsulting.com



EDGE

EDGE WARDROBE LINE

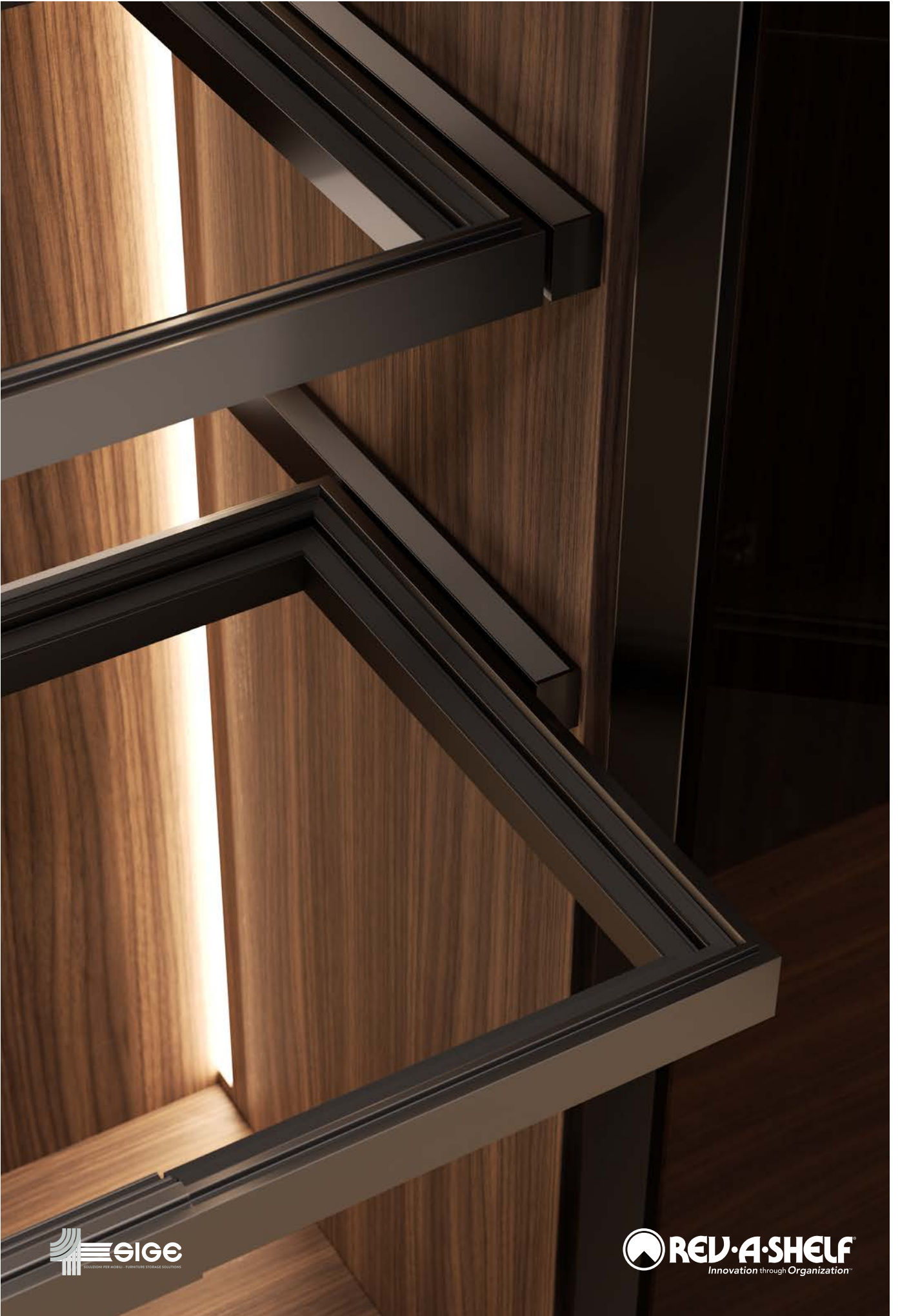
DESIGN ANDREA FEDERICI

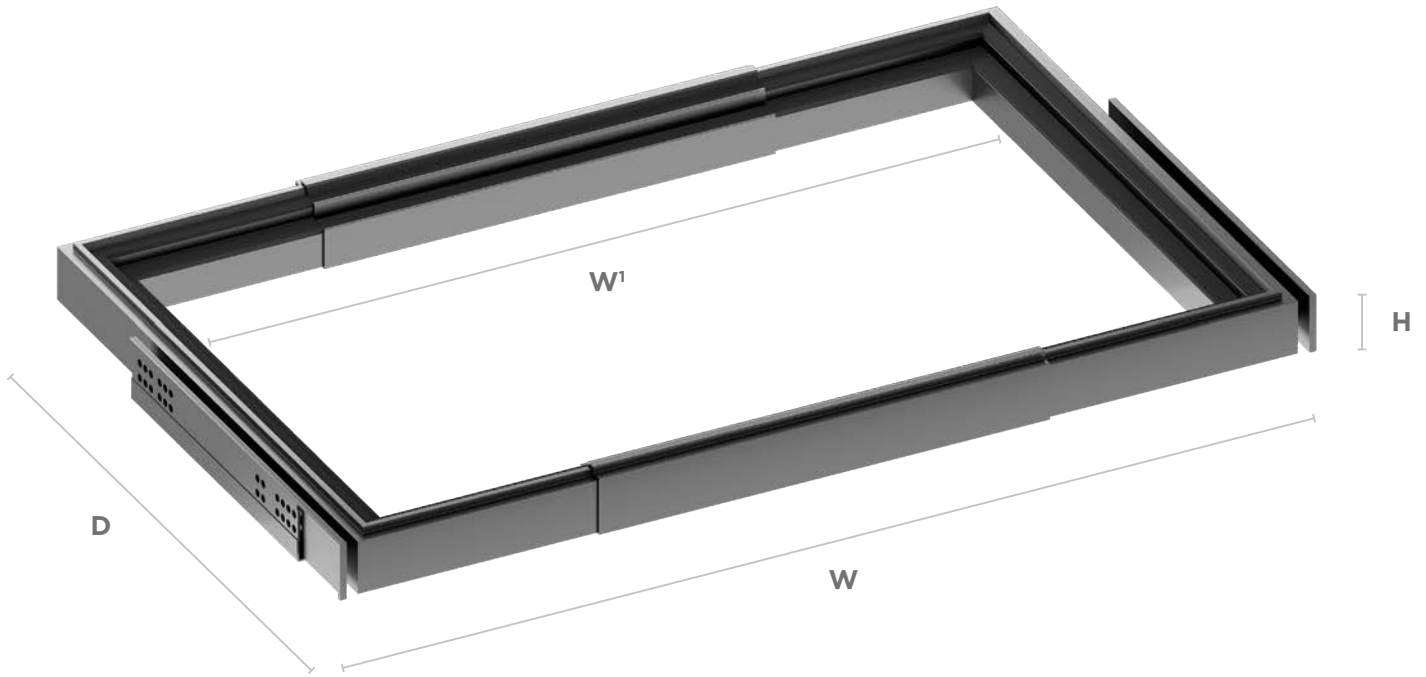


Sartorial, practical and contemporary, the Edge collection makes modularity its distinctive component. The minimal and telescopic elements adapt to all spaces and tastes of those who seek functionality, usability but do not want to give up on the style. Designed to contain and organize, drawers, trouser racks, skirt racks, shoe racks and laundry racks-are all removable, extractable and cushioned - they marry technology and elegance. The rubber profiles of the frames and the rods - and the special trays material - dampen noise and protect both garments and accessories. The semi-glossy, vibrant warm grey metal, which characterizes all the elements of the collection, is an additional touch of charm, capturing light in soft gleams and enhancing the soft and warm style of the sleeping area, drawing evocative geometries that cuddle clothes and accessories in an endless aesthetic liason.



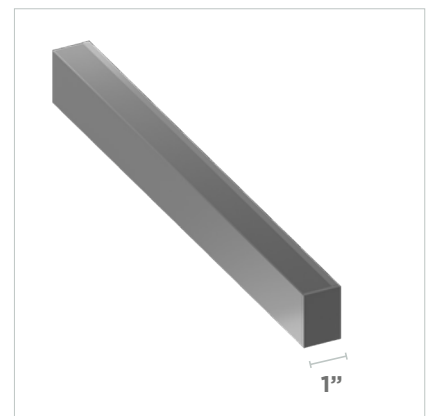
A home is given to each piece of cloth and accessory. This is the original idea from which the Edge collection develops, dreamt and conceived to transform your wardrobe, an intimate and personal place to stow our dearest objects, in a flexible and super accessorised space along with functionality and design. Paying off every need and desire. Everything, from dresses to skirts, from trousers to shoes, including jeweleries, belts, bags and glasses, finds here its ideal lodge. Everything has its place, everything is at hand and nothing gets lost. Rods with elegant lines, compartments and drawers with vast capacity, real smart kits - fully removable and adaptable to measure - satisfy the space optimization, reflecting an almost infinite assembly versatility, where freedom and order enhance each other, discovering beauty.





ADJUSTABLE EXTRACTABLE FRAME “EDGE”

- Wide adjustment to fit different dimensions of furniture
- Suitable for open furniture
- Optional spacer for use with sliding or hinged doors
- Article made of powder-coated metal
- Size full extension cushioned slides



Optional: Spacer

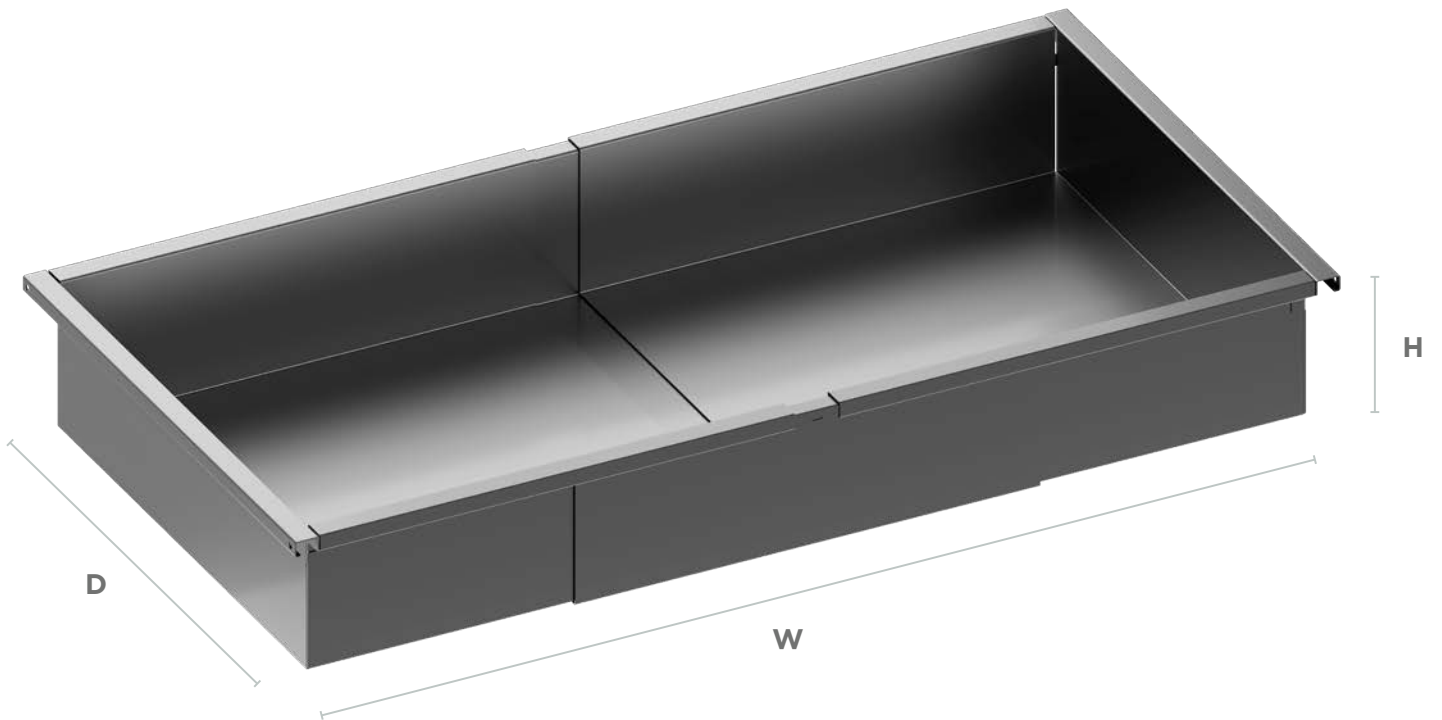
Info

ID	W	W'	D	H
5E100-2030-16-1	19-11/16" - 30-1/2"	16-1/32" - 26-7/8"	15-5/32"	2-7/16"
5E100-3242-16-1	31-1/2" - 42-11/32"	27-27/32" - 38-11/16"	15-5/32"	2-7/16"
5E100-2030-20-1	19-11/16" - 30-1/2"	16-1/32" - 26-7/8"	18-5/16"	2-7/16"
5E100-3242-20-1	31-1/2" - 42-11/32"	27-27/32" - 38-11/16"	18-5/16"	2-7/16"



ADJUSTABLE LOW CASE FOR "EDGE" FRAME

- Article made of powder-coated metal
- Adjustable to fit to the EDGE frame
- Optional non-slip mat



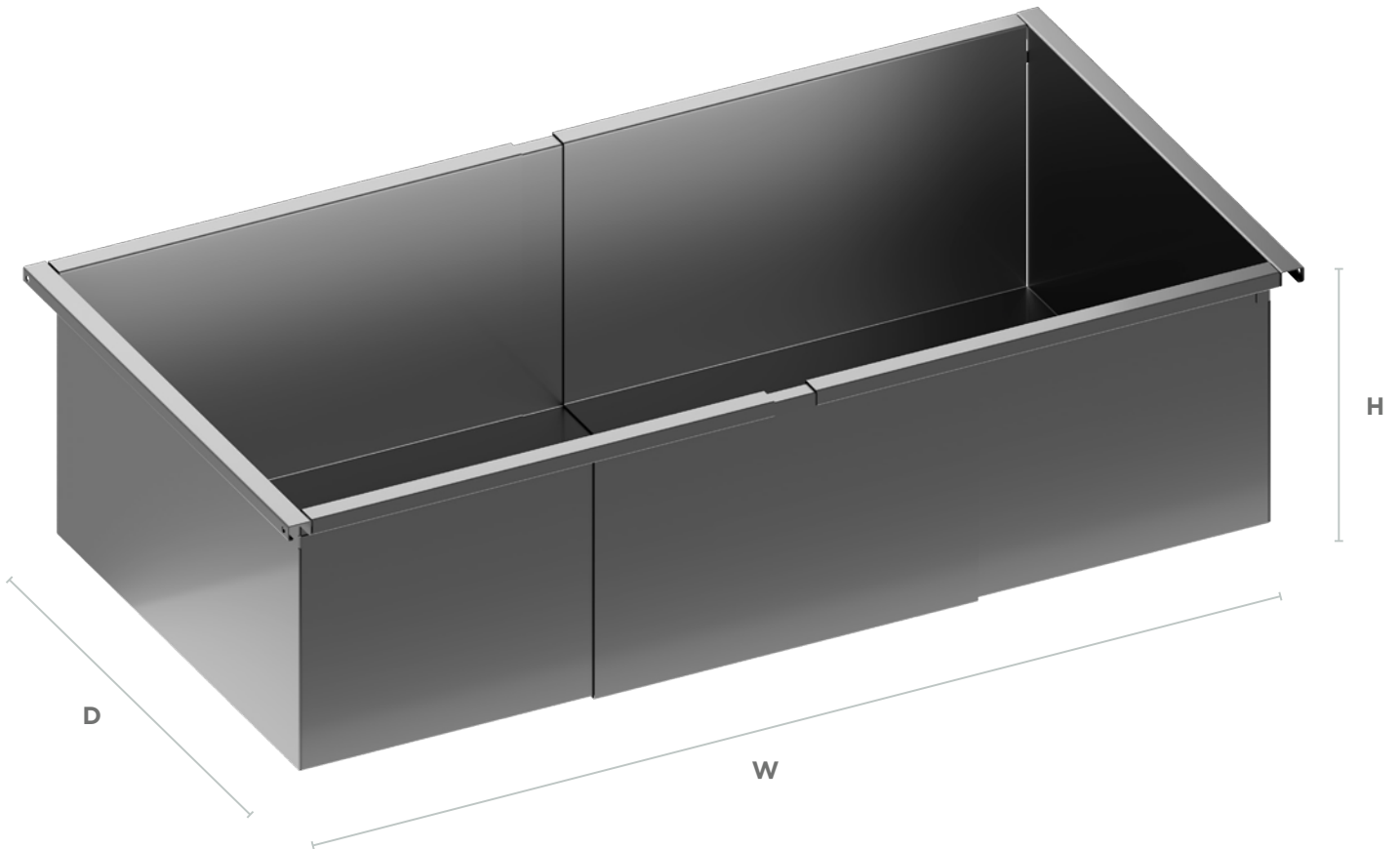
Info

ID	W	W ¹	D	H
5E220-2030-16-5-1	19-11/16" - 30-1/2"	16-1/32" - 26-7/8"	12-3/32"	4-15/16"
5E220-3242-16-5-1	31-1/2" - 42-11/32"	27-27/32" - 38-11/16"	12-3/32"	4-15/16"
5E220-2030-20-5-1	19-11/16" - 30-1/2"	16-1/32" - 26-7/8"	15-1/4"	4-15/16"
5E220-3242-20-5-1	31-1/2" - 42-11/32"	27-27/32" - 38-11/16"	15-1/4"	4-15/16"



ADJUSTABLE HIGH CASE FOR "EDGE" FRAME

- Article made of powder-coated metal
- Adjustable to fit to the EDGE frame
- Optional non-slip mat



Info

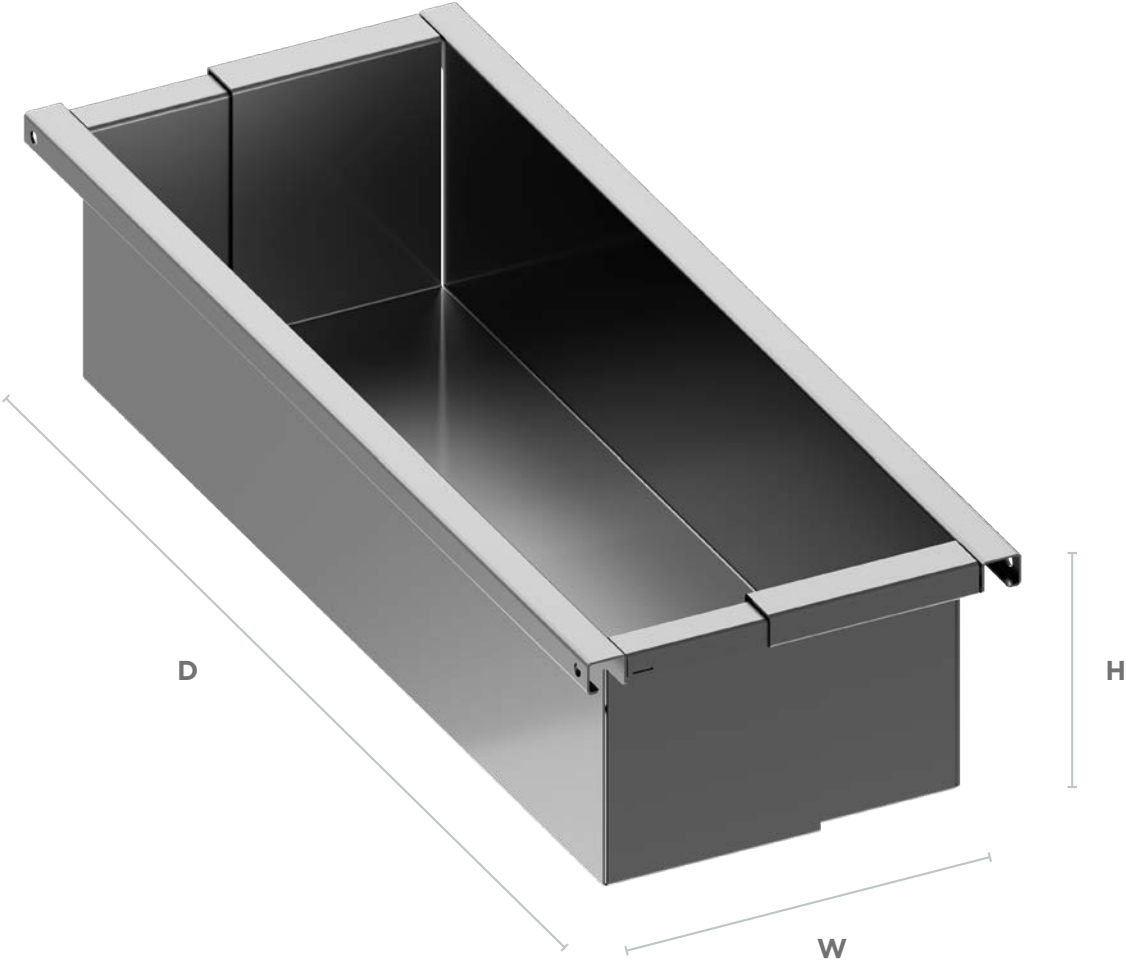
ID	W	W ¹	D	H
5E220-2030-16-10-1	19-11/16" - 30-1/2"	16-1/32" - 26-7/8"	12-3/32"	9-21/32"
5E220-3242-16-10-1	31-1/2" - 42-11/32"	27-27/32" - 38-11/16"	12-3/32"	9-21/32"
5E220-2030-20-10-1	19-11/16" - 30-1/2"	16-1/32" - 26-7/8"	15-1/4"	9-21/32"
5E220-3242-20-10-1	31-1/2" - 42-11/32"	27-27/32" - 38-11/16"	15-1/4"	9-21/32"



MODULAR ELEMENTS

ADJUSTABLE STORAGE TRAY

- Article made of powder-coated steel
- Useful in several adjustments
- Optional non-slip mat



Info

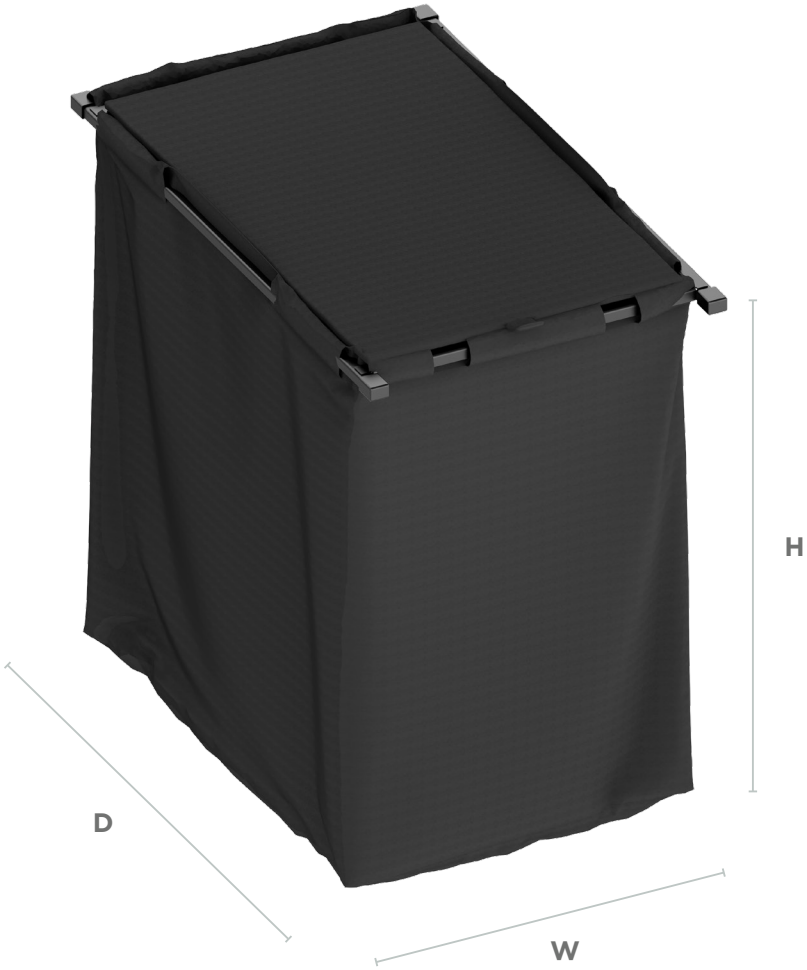
ID	W	D	H
5E225-16-1	4-17/32" - 6-29/32"	12-3/32"	4-17/32"
5E225-20-1	4-17/32" - 6-29/32"	15-1/4"	4-17/32"



LAUNDRY RACK

LAUNDRY RACK

- Tray made of powder-coated steel
- Machine-washable cotton fabric
- Rigid, removable bottom and cover



Info

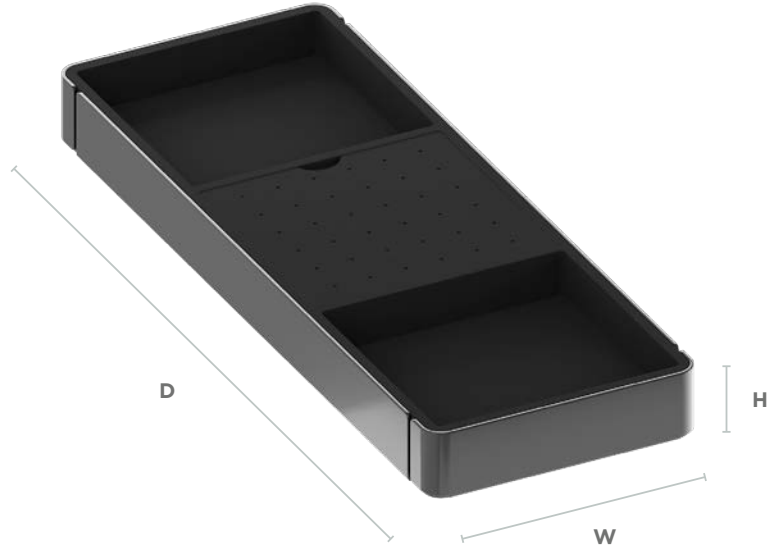
ID	W	D	H
5E250-9-16-1	9-7/8"	12-3/32"	11-7/16"
5E250-16-20-1	12-3/32"	15-1/4"	11-7/16"



MODULAR ELEMENTS

EARRINGS TRAY

- Tray made of powder-coated steel
- Soft and flexible inner lining

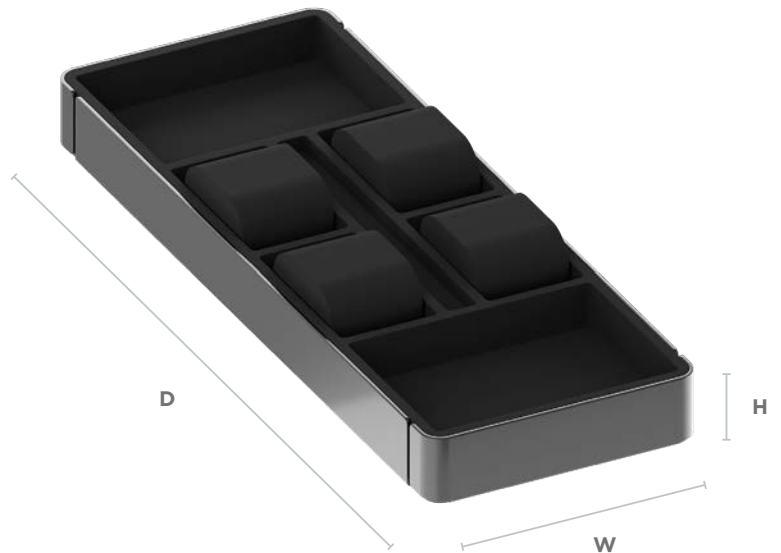


Info

ID	W	D	H
5E512-16-1	6-1/2"	13-3/32"	1-21/32"
5E512-20-1	6-1/2"	16-1/4"	1-21/32"

WATCHES TRAY

- Tray made of powder-coated steel
- Soft and flexible inner lining



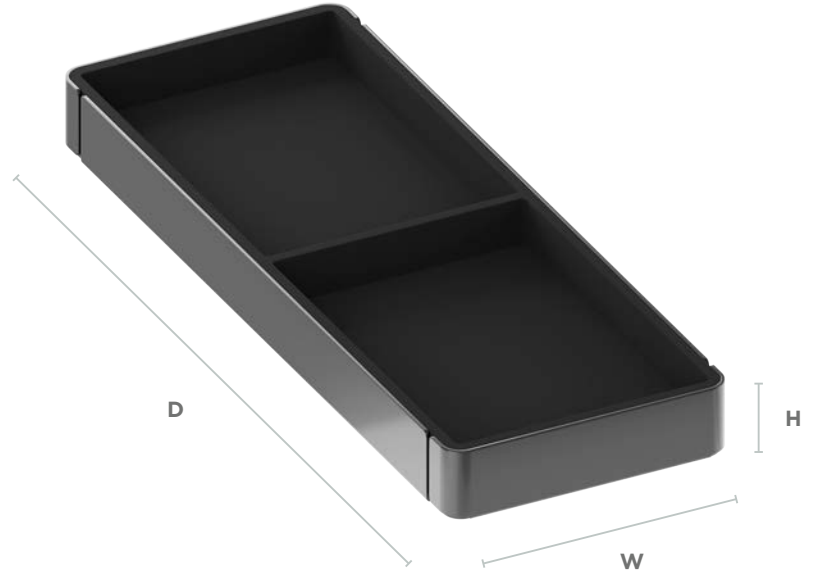
Info

ID	W	D	H
5E510-16-1	6-1/2"	13-3/32"	1-21/32"
5E510-20-1	6-1/2"	16-1/4"	1-21/32"

MODULAR ELEMENTS

2 SPACES CASE

- Tray made of powder-coated steel
- Soft and flexible inner lining

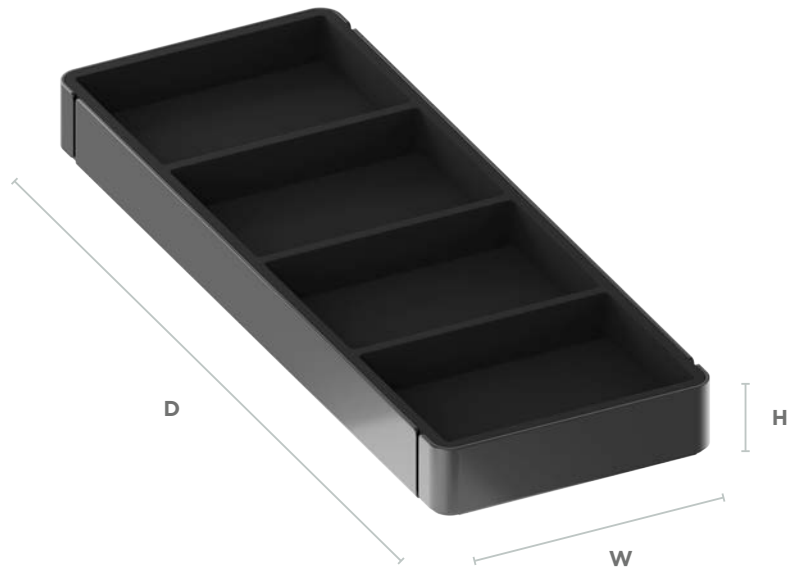


Info

ID	W	D	H
5E502-16-1	6-1/2"	13-3/32"	1-21/32"
5E502-20-1	6-1/2"	16-1/4"	1-21/32"

4 SPACES CASE

- Tray made of powder-coated steel
- Soft and flexible inner lining

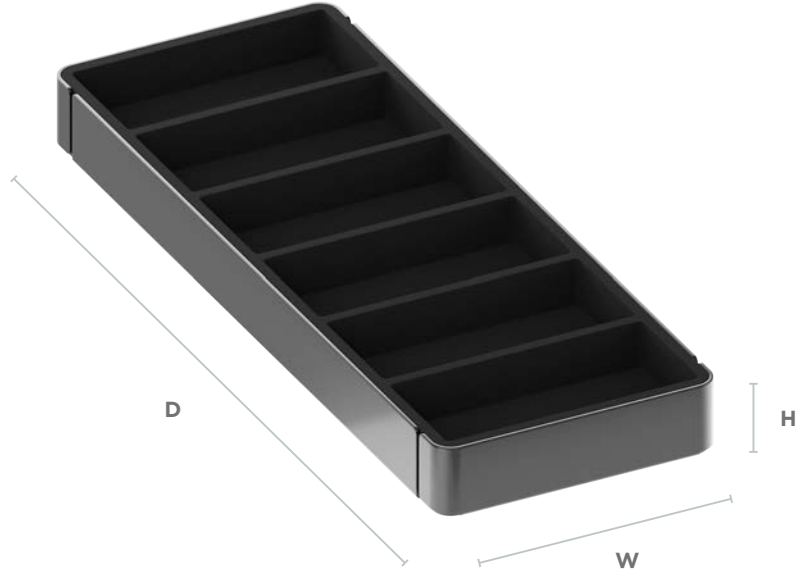


Info

ID	W	D	H
5E504-16-1	6-1/2"	13-3/32"	1-21/32"
5E504-20-1	6-1/2"	16-1/4"	1-21/32"

5/6 SPACES CASE

- Tray made of powder-coated steel
- Soft and flexible inner lining

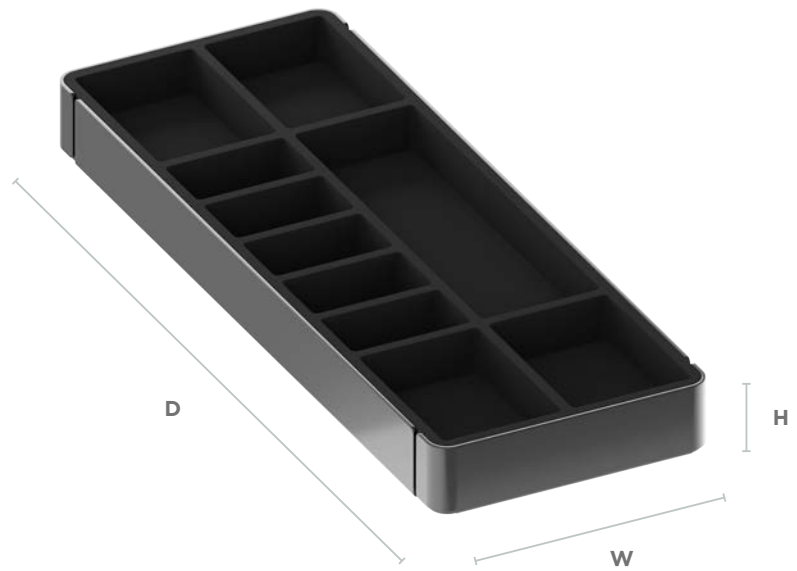


Info

ID	W	D	H
5E506-16-1	6-1/2"	13-3/32"	1-21/32"
5E506-20-1	6-1/2"	16-1/4"	1-21/32"

POCKET EMPTIER

- Tray made of powder-coated steel
- Soft and flexible inner lining



Info

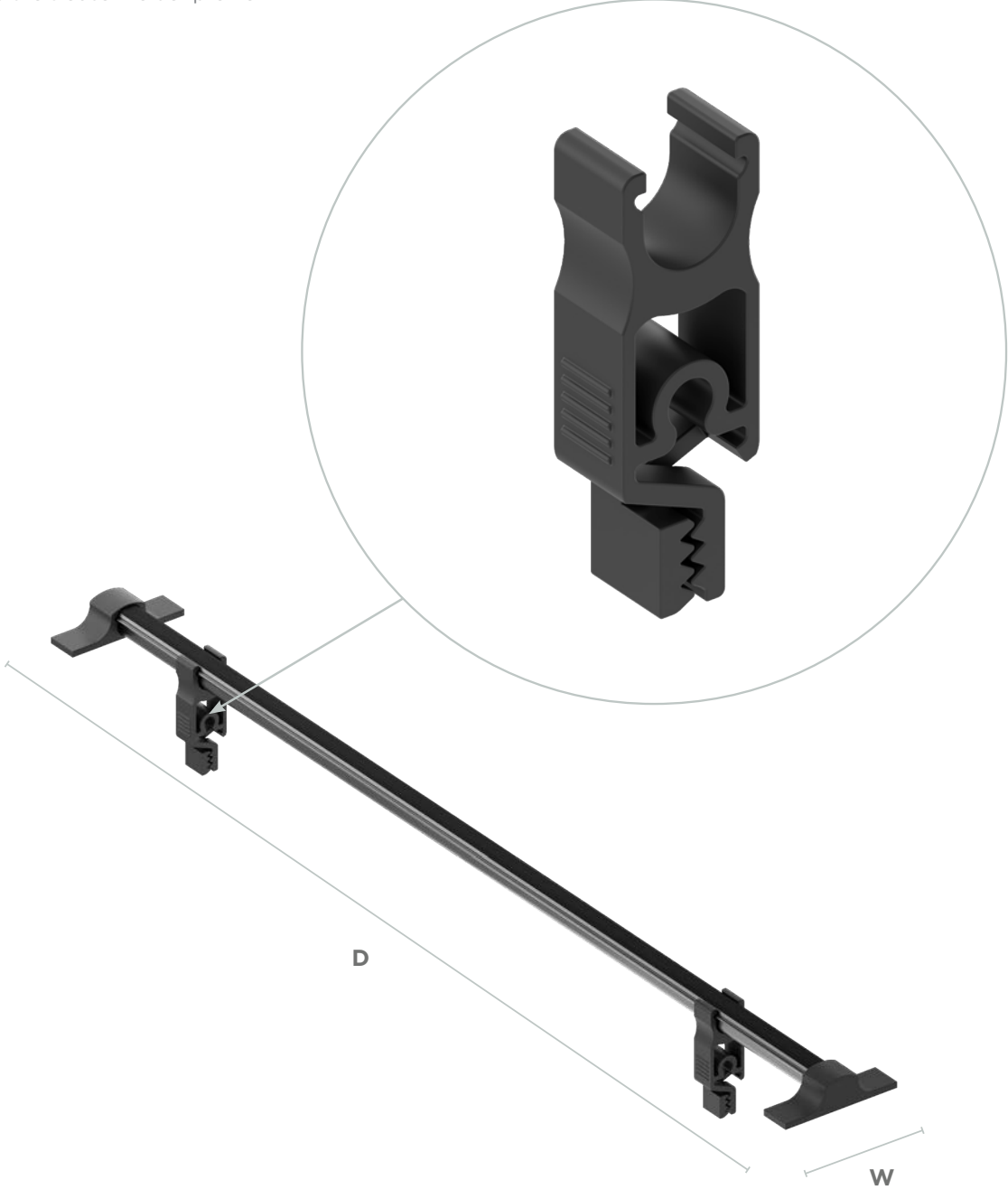
ID	W	D	H
5E513-16-1	6-1/2"	13-3/32"	1-21/32"
5E513-20-1	6-1/2"	16-1/4"	1-21/32"



MODULAR ELEMENTS

KIT OF 10 TROUSER HOLDERS WITH SKIRT HOLDER HOOKS

- Article made of powder-coated steel
- Completed with non-slip rubber insert
- Plastic hook
- To be fixed to the trouser holder profile



Info

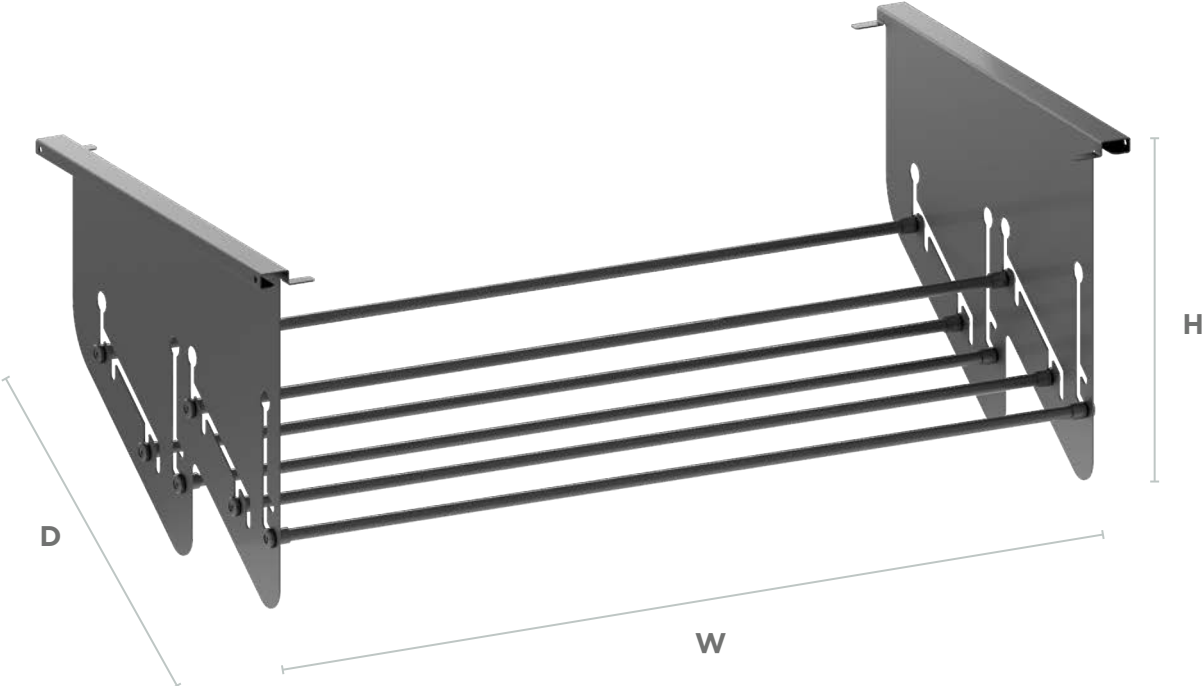
ID	W	D	H
5E260-16-1	1-31/32"	12-3/32"	11/16"
5E260-20-1	1-31/32"	15-1/4"	11/16"



SHOES HOLDER

SHOES HOLDER

- Tray made of powder-coated steel
- Adjustable for any type of shoe
- Tube cut to size



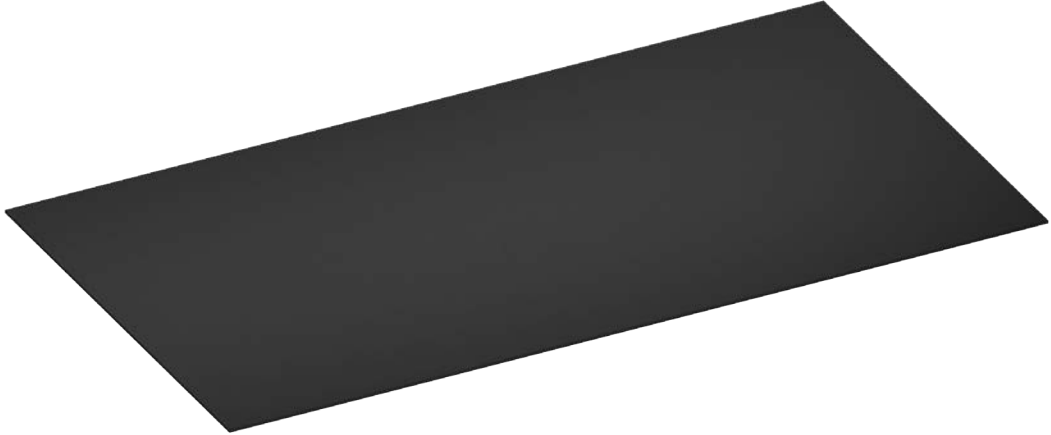
Info

ID	W	D	H
5E240-3242-16-1	38-11/16"	12-3/32"	11-7/16"
5E240-3242-20-1	38-11/16"	15-1/4"	11-7/16"



NON-SLIP MAT

- Mat made of thermoplastic material
- Available in two shades
- Tailor-made upon request

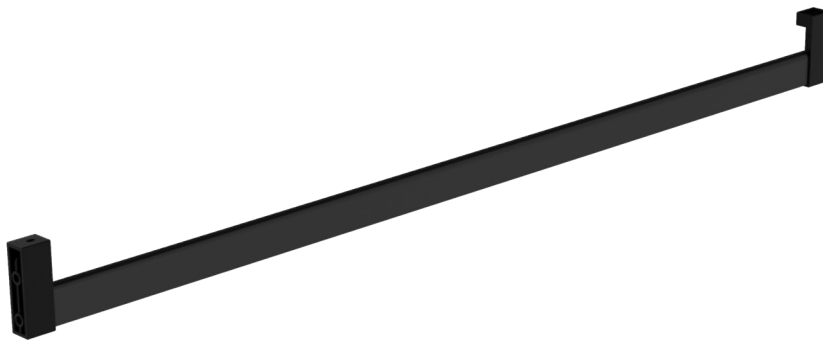


Info

ID	W	D	H
5E8220-50-16-13-1	50-1/2"	15-1/4"	3/32"
5E8220-50-20-13-1	50-1/2"	19-1/4"	3/32"

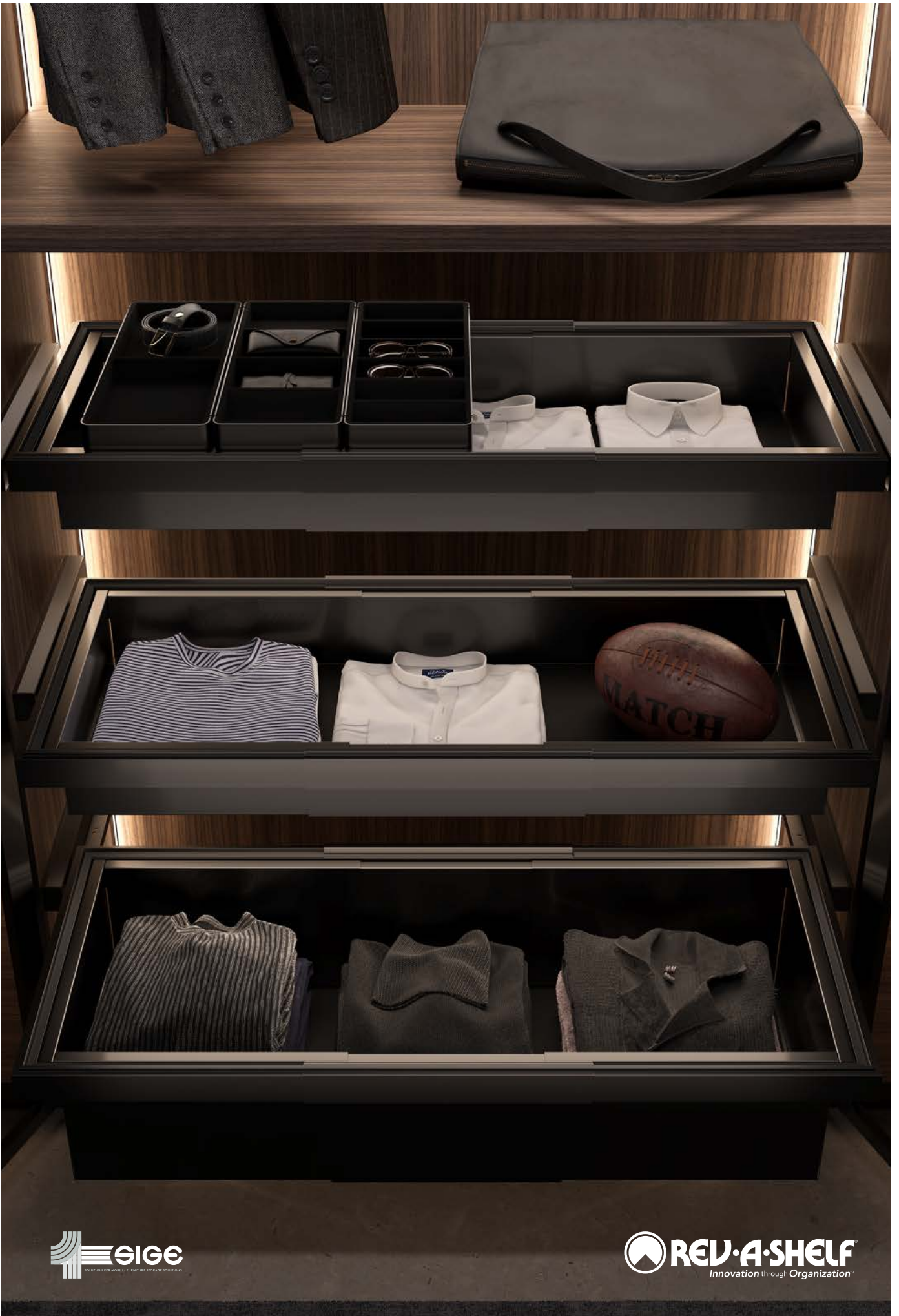
CLOSET ROD

- Rod made of powder-coated steel
- Adjustable for a wide range of uses
- Mounts to side or top of closet



Info

ID	W	D	H
5E610-42-1	42"	3/4"	2-3/4"



2023
WINNER



