

PARAPAN® Solid Surface Door Quote Request/ Order Form



Request for: Quote Order

Company: _____
 Contact Name: _____
 Address: _____
 City, State Zip _____
 Phone #: _____
 Fax #: _____
 Email: _____

Date: _____
 PO Number (if applies): _____

Aluminum Frame Door with PARAPAN® Inserts
 AF006 AF006S
 All AF Series profiles available with PARAPAN 4mm Inserts: see AF door order form

18mm PARAPAN® Doors
 High gloss, reflective solid surface doors, repairable, easy to clean, UV & fade resistant, waterproof, no VOCs

4mm Insert Color for AF006/AF006S or 18mm Solid High Gloss Doors

<input type="checkbox"/> 5910 - alpine white	<input type="checkbox"/> 5773 - cappuccino	<input type="checkbox"/> 5776 - brown
<input type="checkbox"/> 5907 - white	<input type="checkbox"/> 5570 - orange	<input type="checkbox"/> 5299 - black
<input type="checkbox"/> 5196 - opal white	<input type="checkbox"/> 5771 - oxide red	<input type="checkbox"/> 5295 - stone grey
<input type="checkbox"/> 5772 - latte	<input type="checkbox"/> 5655 - signal red	<input type="checkbox"/> 5290 - light grey
<input type="checkbox"/> 5525 - pale ivory	<input type="checkbox"/> 5380 - cobalt blue	<input type="checkbox"/> 5297 - anthracite
<input type="checkbox"/> 5440 - kiwi		(5297 available in 18mm only)

Door Fabrication

No Fabrication
 Hinge (Only) Borings
 Handle (Only) Borings
 Handle & Hinge Borings

18mm Door Edge (2mm edge detail standard)

Straight Edge
 1mm Edge Radius
 2mm Edge Radius
 3mm Edge Radius

Acrifix™ PARAPAN® Cleaner
 (one complimentary 4oz. bottle supplied with order)
Include Additional Cleaner:
 4 oz. Qty. _____
 16 oz. Qty. _____

Hinges & Plates

Blum - H71T550
 Salice - HC2P9A99
 None

PARAPAN Door Hinge Qty. _____
 35mm straight arm, 120°, self close

0mm Mounting Plates Qty. _____ None
 (Hinge screws provided based on quantity of doors/drawers)

Knobs/Pulls

None
 yes Qty. _____
 Part #: _____

Item	Quantity	Door / Drawer / Panel Dimensions (WIDTH x HEIGHT)	in./mm select one	Left (L), Right (R), Up (U) Drawer Front (D), or Panel (P) select one	# Hinge Borings	Distributor Use Only	
						Price	Ext. Price
1				<input type="checkbox"/> L <input type="checkbox"/> R <input type="checkbox"/> U <input type="checkbox"/> D <input type="checkbox"/> P			
2				<input type="checkbox"/> L <input type="checkbox"/> R <input type="checkbox"/> U <input type="checkbox"/> D <input type="checkbox"/> P			
3				<input type="checkbox"/> L <input type="checkbox"/> R <input type="checkbox"/> U <input type="checkbox"/> D <input type="checkbox"/> P			
4				<input type="checkbox"/> L <input type="checkbox"/> R <input type="checkbox"/> U <input type="checkbox"/> D <input type="checkbox"/> P			
5				<input type="checkbox"/> L <input type="checkbox"/> R <input type="checkbox"/> U <input type="checkbox"/> D <input type="checkbox"/> P			
6				<input type="checkbox"/> L <input type="checkbox"/> R <input type="checkbox"/> U <input type="checkbox"/> D <input type="checkbox"/> P			
7				<input type="checkbox"/> L <input type="checkbox"/> R <input type="checkbox"/> U <input type="checkbox"/> D <input type="checkbox"/> P			
8				<input type="checkbox"/> L <input type="checkbox"/> R <input type="checkbox"/> U <input type="checkbox"/> D <input type="checkbox"/> P			
9				<input type="checkbox"/> L <input type="checkbox"/> R <input type="checkbox"/> U <input type="checkbox"/> D <input type="checkbox"/> P			
10				<input type="checkbox"/> L <input type="checkbox"/> R <input type="checkbox"/> U <input type="checkbox"/> D <input type="checkbox"/> P			
11				<input type="checkbox"/> L <input type="checkbox"/> R <input type="checkbox"/> U <input type="checkbox"/> D <input type="checkbox"/> P			
12				<input type="checkbox"/> L <input type="checkbox"/> R <input type="checkbox"/> U <input type="checkbox"/> D <input type="checkbox"/> P			
13				<input type="checkbox"/> L <input type="checkbox"/> R <input type="checkbox"/> U <input type="checkbox"/> D <input type="checkbox"/> P			
14				<input type="checkbox"/> L <input type="checkbox"/> R <input type="checkbox"/> U <input type="checkbox"/> D <input type="checkbox"/> P			
15				<input type="checkbox"/> L <input type="checkbox"/> R <input type="checkbox"/> U <input type="checkbox"/> D <input type="checkbox"/> P			

OPTIONAL 4mm PARAPAN® decorative and appliance panels:
 yes - code: _____ (rough or finished dimensions listed)

	Price	Ext. Price
16		
17		
18		

4mm Panels		
Knobs/ Pulls		
Hinges		
Subtotal		
Shipping		
Total		

Hinge and Handle Specs

Line Item # _____ (from pg 1)

Please make copy and fill out 1 sheet for each different boring pattern

Hinge Borings

X1 = _____ (std=7/8") OR B/T = _____ (std=5 mm)

X2 TOP/LEFT = _____ (minimum = 3")
(std = 3 1/2")

X2 BOTTOM/RIGHT = _____ (minimum = 3")
(std = 3 1/2")

X3 = _____ (optional)

X4 = _____ (optional - not shown)

X5 = _____ (optional - not shown)

Handle Borings

K1 = _____ (Knob or Pull)
(Min = 2 1/4") (Std = 2 1/2")

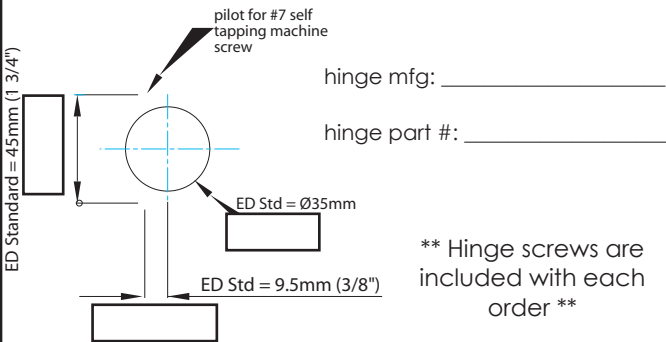
K2 = _____ (Knob or Pull)
(Std = centered on frame)

K3 = _____ (Pull only)
(center to center distance)

Handle Hole Diameter = 11/64"

Contact Element Designs for special hardware borings (e.g. lift-up systems)

Hinge Boring Spec



BACK OF DOOR/ DRAWER FRONT SHOWN

