

Premier



**PB910 - Fast Tack, Low VOC,
High Strength Contact Cement**



8 lb. , 27 lb.



5 Gal. pail

- Less than 40 g/l VOC - meets all CA air quality regulations. No methylene chloride. Flammable.
- Postformable
- LEED certified
- Greenguard certified
- Scent to mask the methyl-acetate odor
- Slightly longer open time of 45 min vs. 25 min of the PB909.

<u>Code</u>	<u>Description</u>	<u>List</u>
PB910-08C	Canister - 8 lbs.	
PB910-27C	Canister - 27 lbs. - Clear	
PB910-27R	Canister - 27 lbs. - Red	
PB910-05C*	5 gal. pail - Clear	
PB910-05R*	5 gal. pail - Red	
GUN	Spray Gun	
PGH-12	12' Hose	
TIP	Replacement Tip	

* Good sub for 1145 - Red/Nat, pressure must be adjusted from 110 PSI to 40 PSI.

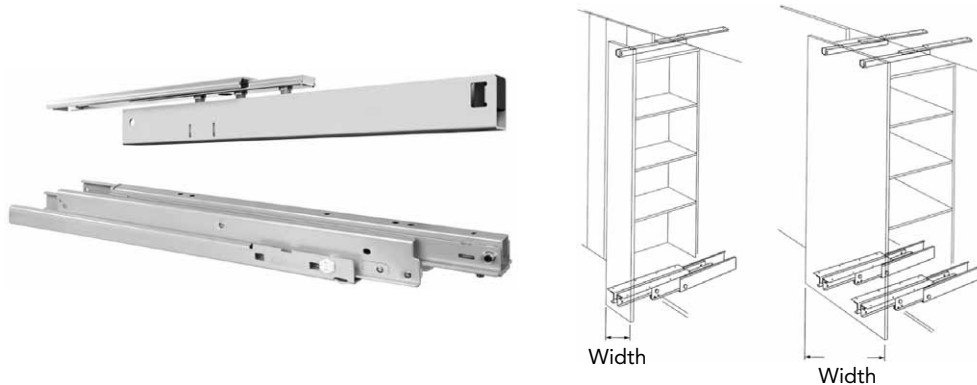
Catalog Page 1550 update: FR771-575 specs

Sales Bulletin
Apr 2009

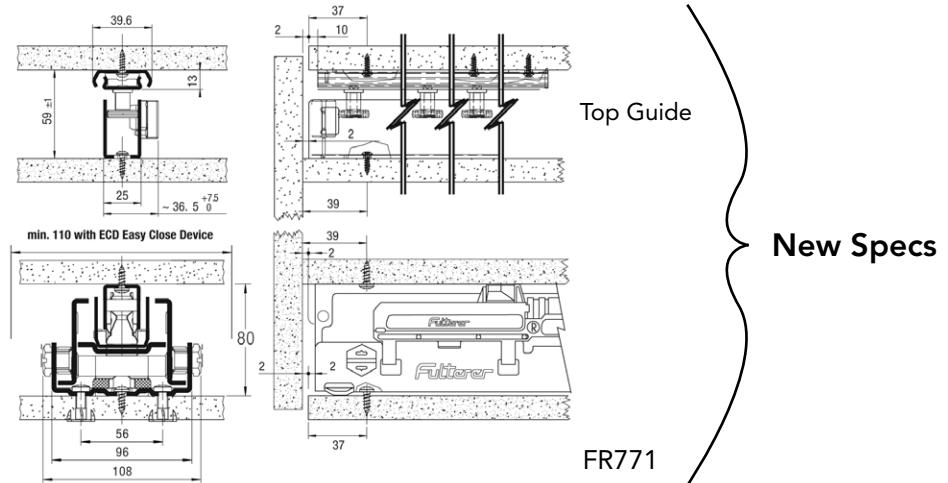
**FULTURER FR771 HEAVY DUTY DRAWER
SLIDE FOR WOOD PULL-OUT**

Full extension, Progressive Action

Load Capacity: 250 lbs.



For cabinets taller than 1800 mm (72 in.)
Up to 450mm (18 in.) width one slide is recommended
Over 450mm width two slides are recommended



Material: Powder coated cold rolled steel
Bearing material: High-grade Delrin roller ball-bearings
Load capacity: Dynamic up to 250 lbs. per slide
(2 slides = 500 lbs.)

Low height profile. "Clean" appearance. Smooth and quiet progressive movement. Patented middle profile counteracts any deflection when loaded. Horizontal and parallel end position without play. Top adapter plate for wooden platform attachment.

Applications: pantries, archives, tool storage, home entertainment systems, etc.
One set = One slide with one top guide.

Code	Size	Ext. Loss	List/set
FR771-575	22-5/8"	12 mm	\$ 314.19

Mohawk
Cleanup Solvent - 5 Gal.



Mohawk Clean-Up Solvent is reclaimed solvent that contains a high percentage of acetone. It is suitable for effectively cleaning spray guns, brushes and other finishing equipment.

Do not use Clean-Up Solvent to thin or reduce any Mohawk coating or stain. Due to the reclaimed nature of this product the solvent color and odor may vary slightly from batch to batch, which does not affect the product's performance.

<u>Code</u>	<u>Description</u>	<u>List</u>
M650-9008	Clean-up Solvent, Reclaimed Acetone	\$ 91.00

New Items by DELTANA

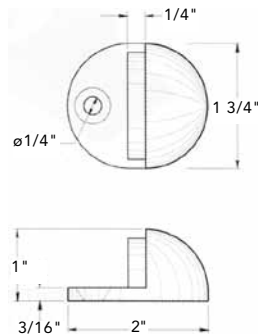
DELTANA DOME STOPS

Solid Brass

Solid brass dome style floor door stop.
Screws included.



DSLSP316



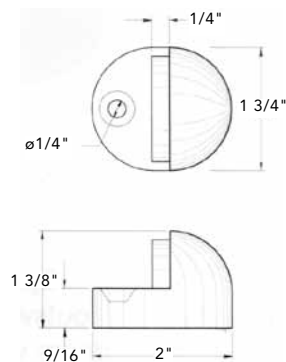
(Ives 436B, pg 203)

Low Profile: Requires a minimum of 3/16" of clearance between the floor and the bottom of the door.
Base: 1-3/4" x 2". Base Ht: 3/16". Total Ht: 1".

<u>Code</u>	<u>Finish</u>	<u>Ctn</u>	<u>List/ea.</u>
DSLSP316U3	Polished Brass	10/ea.	\$ 6.57
DSLSP316U26D	Brushed Chrome	10	7.38
DSLSP316U15	Satin Nickel	10	7.38
DSLSP316U10B	Oil R. Bronze	10	7.38



DSHP916



(Ives 438B)

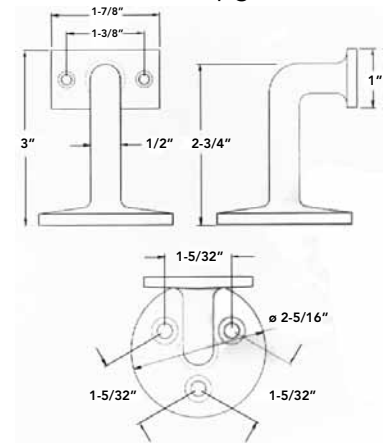
High Profile: Requires a minimum of 9/16" of clearance between the floor and the bottom of the door.
Base: 1-3/4" x 2". Base Ht: 9/16". Total Ht: 1-3/8".

<u>Code</u>	<u>Finish</u>	<u>Ctn</u>	<u>List/ea.</u>
DSHP916U3	Polished Brass	10/ea.	\$ 8.69
DSHP916U26D	Brushed Chrome	10	9.60
DSHP916U15	Satin Nickel	10	9.60
DSHP916U10B	Oil R. Bronze	10	9.60

DELTANA HANDRAIL BRACKET (Parker 180PB-FR)

Solid Brass - For Flat Rail

pg 1661



Projection: 3"
Base Size: 2-1/4" Dia.
Finish: Pol. Brass

<u>Code</u>	<u>Description</u>	<u>List/ea.</u>
HRC253US3	Hand Rail Bracket	\$ 20.02

DELTANA BALL CATCH (Ives 347, pg 607)

Solid Brass Adjustable

Faceplate: 2-1/8" x 1"
Strike: 2-1/8" x 1-3/8"
Bore: 11/16" x 1-1/4"
Lip: 7/8" to center



<u>Code</u>	<u>Finish</u>	<u>Ctn</u>	<u>List/ea.</u>
BC218U10B	Oil R. Bronze	20 ea.	\$ 10.72
BC218U15	Sat. Nickel	20	10.72
BC218U15A	Ant. Nickel	20	10.72
BC218U26	Pol. Chrome	20	10.72
BC218U26D	Dull Chrome	20	10.72
BC218U3	Pol. Brass	20	8.80

DELTA FLUSH RING PULL (pg 413)

Solid Brass



FRP175
1-3/4" x 1-3/8"



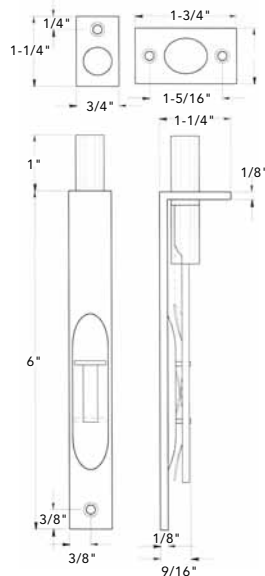
FRP25
2-1/2" x 1-7/8"

<u>Code</u>	<u>Finish</u>	<u>Ctn.</u>	<u>List/ea.</u>
FRP175U3	Polished Brass	50/ea.	\$ 8.90
FRP175U15	Satin Nickel	50	11.12
FRP175U10B	Oil Rubbed Bronze	50	11.12
FRP25U3	Polished Brass	20	\$ 13.65
FRP25U15	Satin Nickel	20	18.20
FRP25U10B	Oil Rubbed Bronze	20	18.20

DELTA FLUSH BOLT - 6" (lves 262B, pg 216)

Solid Brass

Square corner.
Dimensions:
6" x 3/4" x 1/8".
Individual polybag
contains 1 flush bolt,
#6x3/4" flat head
Phillips screws and
1 mortise strike.



15 per carton.

<u>Code</u>	<u>Finish</u>	<u>Ctn.</u>	<u>List/ea.</u>
6FBS3	Polished Brass	15	\$ 13.14
6FBS15	Satin Nickel	15	16.68
6FBS10B	Oil R. Bronze	15	16.68

DELTA RIGID DOOR STOP (lves 61MB, pg 208)

Solid Brass construction



BDS30U

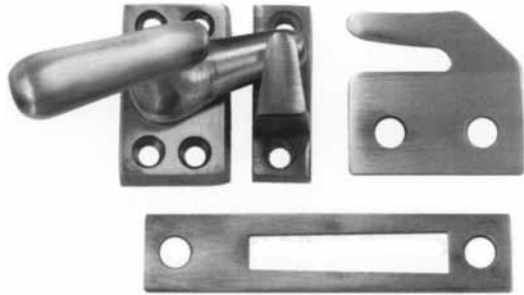
Solid brass baseboard door stop.
Projection: 3-1/4". Include gray and white rubber tips.
Easy to install, can be mounted on the baseboard or the door.

10 ea. per/ctn.

<u>Code</u>	<u>Finish</u>	<u>Ctn.</u>	<u>List/ea.</u>
BDS30U3	Polished Brass	10 ea.	\$ 6.87
BDS30U26	Chrome	10	7.58
BDS30U26D	Brushed Chrome	10	7.58
BDS30U10B	Oil R. Bronze	10	7.58
BDS30U15	Satin Nickel	10	7.58
BDS3015A	Antique Nickel	10	7.58

DELTA CASEMENT FASTENER, SOLID BRASS

Small



Solid Brass casement fasteners. Includes three strikes: surface, rim, and mortise. Polybagged 10 ea/box with screws. Two sizes available.

(Ives 066B, pg 906)

Base size: 1-5/8" x 7/8", Projection: 1-3/8"

<u>Code</u>	<u>Finish</u>	<u>List/ea.</u>
CF066U10B	Oil R. Bronze	\$ 16.98
CF066U15	Sat. Nickel	16.98
CF066U26	Pol. Chrome	16.98
CF066U26D	Dull Chrome	16.98
CF066U3	Pol. Brass	14.96

(Ives 66B, pg 906)

Base size: 2-1/16" x 1-1/16", Projection: 1-7/8"

<u>Code</u>	<u>Finish</u>	<u>List/ea.</u>
CF66U10B	Oil R. Bronze	\$ 22.24
CF66U15	Sat. Nickel	22.24
CF66U26	Pol. Chrome	22.24
CF66U26D	Dull Chrome	22.24
CF66U3	Pol. Brass	20.02

DELTA CASEMENT ADJUSTER

(Ives C71, pg 910)



CSA10
Solid Brass

Length: 10", Dia. of Rod: 3/8", Sash Plate: 2-1/4" x 1", Sill Plate: 1-3/4" x 3/4". With Screws. Solid Brass.

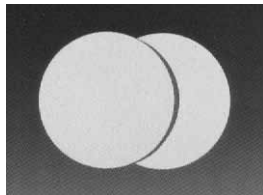
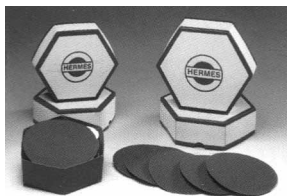
<u>Code</u>	<u>Finish</u>	<u>Ctn.</u>	<u>List/ea.</u>
CSA10U10B	Oil R. Bronze	10 ea.	\$ 42.26
CSA10U15	Sat. Nickel	10	42.26
CSA10U26	Pol. Chrome	10	42.26
CSA10U3	Pol. Brass	10	39.43



Sales Bulletin
July 2009

Hermes VC151 - Longlife 5" Discs
Velour Backed

Hermes VC 151 -Longlife VEL C weight velour backed discs are designed for both metal and woodworking applications. This highly flexible tear resistant disc is used for intermediate and finish sanding on soft or hard woods, automotive primer, aluminum panels and parts and composite plastic and fiberglass mouldings. A stearate coating reduces premature loading and clogging. Available in individual disc form.



- 5" Velour backed discs
- Resistance to loading and clogging
- Tough aluminum oxide grain assures long life and high stock removal rates
- Improved surface quality
- Conformability to contoured as well as flat surfaces
- Lasts longer and runs cooler due to open coat and velour backing.

Pack: 50 discs/box

<u>Code</u>	<u>Size</u>	<u>Grit</u>	<u>List</u>	<u>Net</u>
VC151V-80	5"	80	\$ 19.05/bx	\$ 9.53/bx
VC151V-100	5"	100	18.35	9.18
VC151V-120	5"	120	18.35	9.18
VC151V-150	5"	150	18.35	9.18
VC151V-180	5"	180	18.35	9.18
VC151V-220	5"	220	18.35	9.18
VC151V-240	5"	240	18.35	9.18
VC151V-320	5"	320	18.35	9.18
VC151V-400	5"	400	18.35	9.18

Dealer No. A

Premier



**PB912 - Fast Tack, Good Value,
High Strength Contact Cement**



27 lb. Canister



5 Gal. pail

- For sale in the Central Valley of California and Nevada, cannot be sold in L.A. (SCAQMD) or the Bay Area (BAAQMD)
- Less expensive than PB910
- 20% more coverage than PB910
- Bulk 228 VOC per pail, Canister 240 VOC per unit, Flammable
- Postformable
- Slightly longer open time of 60 min vs. 45 min of the PB910.
- Water & Temperature resistant to above 200° F

<u>Code</u>	<u>Description</u>	<u>List</u>	<u>Net</u>
PB912-27C	Canister - 27 lbs. - Clear	\$ 399.12	\$ 239.47
PB912-27R	Canister - 27 lbs. - Red	399.12	239.47
PB912-05C	5 gal. pail - Clear	181.98	109.19
PB912-05R	5 gal. pail - Red	181.98	109.19

Steel Wire Pulls - Now in 10B

Other Finishes In Stock

(From MacPac Catalog pg 502)

STEEL WIRE PULLS



Pack: 250 per box

<u>Code</u>	<u>C/C</u>	<u>Finish</u>	<u>List/ea.</u>
P353-PB	3"	Pol. Brass	\$ 1.36
P353-PC	3"	Pol. Chrome	1.36
P353-SC	3"	Sat. Chrome	1.42
P353-BL	3"	Black	1.32
P353-10B	3"	Oil R Bronze	1.69
P354-PB	3.5"	Pol. Brass	1.42
P354-PC	3.5"	Pol. Chrome	1.42
P354-SC	3.5"	Sat. Chrome	1.65
P354-10B	3.5"	Oil R Bronze	1.73
P355-PB	4"	Pol. Brass	1.65
P355-PC	4"	Pol. Chrome	1.46
P355-SC	4"	Sat. Chrome	1.69
P355-10B	4"	Oil R Bronze	1.82
P396-PB	96mm	Pol. Brass	1.42
P396-PC	96mm	Pol. Chrome	1.60
P396-SC	96mm	Sat. Chrome	1.65
P396-BL	96mm	Black	1.36
P396-10B	96mm	Oil R Bronze	1.73

Dealer No. B/E