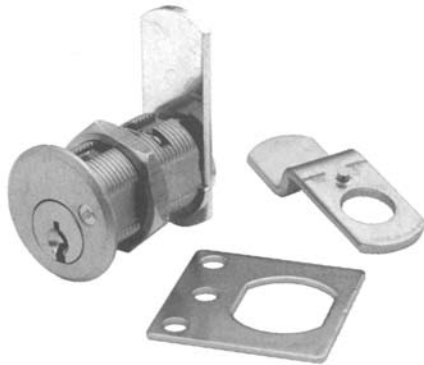
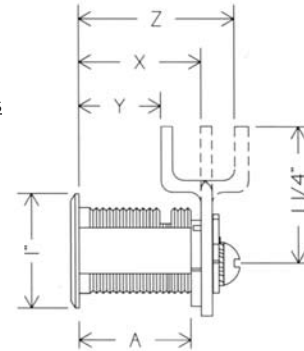


Olympus Locks
Pin Tumbler Cam Locks - Rekeyable

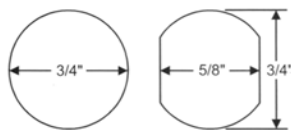


DCN - Cam Locks

Specifications



Mounting cutout



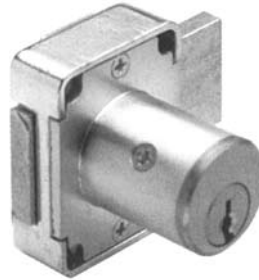
	For Mat. Thickness	Straight Cam (X)	Inbent Cam (Y)	Outbent Cam (Z)	Cylinder Length (A)
DCN1	3/4"	1-1/16"	3/4"	1-3/8"	1"
DCN2	7/8"	1-3/16"	7/8"	1-1/2"	1-1/8"
DCN4	1-1/2"	1-13/16"	1-1/2"	2-1/8"	1-3/4"

5-pin National D4292 keyway. Straight cam and offset cam included.
Reversible cam, easy to install, higher security. Keyed alike or different.
Finish: 26D Satin Chrome.

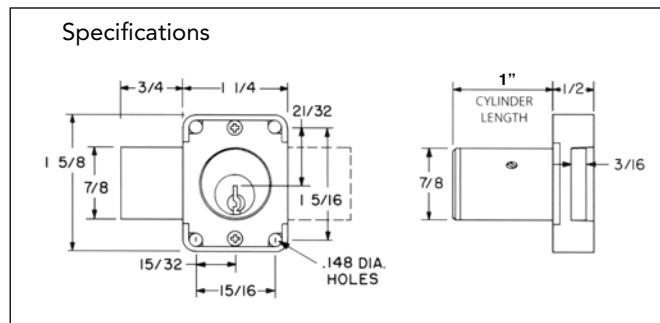
Pack: 20 each/box

<u>Code</u>	<u>Mat. Thick</u>	<u>Key #</u>	<u>List/ea.</u>
DCN1-26D-915	3/4"	915	\$ 18.95
DCN1-26D-G0001	"	G0001	18.95
DCN1-26D-G0002	"	G0002	18.95
DCN1-26D-G0003	"	G0003	18.95
DCN1-26D-G0004	"	G0004	18.95
DCN1-26D-G0005	"	G0005	18.95
DCN1-26D-KD	"	Keyed Diff.	18.95
DCN2-26D-915	7/8"	915	\$ 18.95
DCN2-26D-G0001	"	G0001	18.95
DCN2-26D-G0002	"	G0002	18.95
DCN2-26D-G0003	"	G0003	18.95
DCN2-26D-G0004	"	G0004	18.95
DCN2-26D-G0005	"	G0005	18.95
DCN2-26D-KD	"	Keyed Diff.	18.95
DCN4-26D-915	1-1/2"	915	\$ 18.95
DCN4-26D-G0001	"	G0001	18.95
DCN4-26D-G0002	"	G0002	18.95
DCN4-26D-G0003	"	G0003	18.95
DCN4-26D-G0004	"	G0004	18.95
DCN4-26D-G0005	"	G0005	18.95
DCN4-26D-KD	"	Keyed Diff.	18.95

Olympus Locks
Commercial Cabinet Door Locks
Deadbolt Lock - Rekeyable



100DR - Door Lock



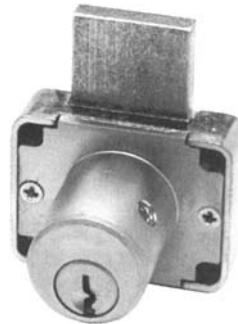
Schlage "C" keyway. Re-keyable pin tumbler lock. Pinned for 5, drilled for 6. Dull Chrome (26D) finish. Stocked keyed alike or different. **Material Thickness: 7/8"**.

Pack: 10 each/box.

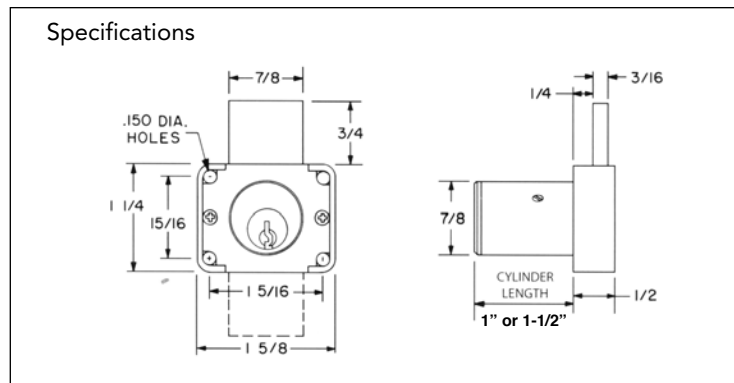
<u>Code</u>	<u>Key #</u>	<u>List/ea.</u>
100-26D78-107	107	\$ 24.56
100-26D78-915	915	24.56
100-26D78-G0001	G0001	24.56
100-26D78-G0002	G0002	24.56
100-26D78-G0003	G0003	24.56
100-26D78-G0004	G0004	24.56
100-26D78-G0005	G0005	24.56
100-26D78-G0006	G0006	24.56
100-26D78-G0007	G0007	24.56
100-26D78-KD	Keyed Diff.	24.56

Olympus Locks
Commercial Cabinet Drawer Locks
Deadbolt Lock - Rekeyable

Sales Bulletin
Oct 2008



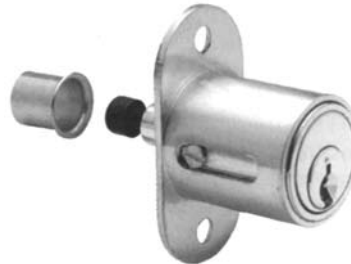
200DW - Drawer Lock



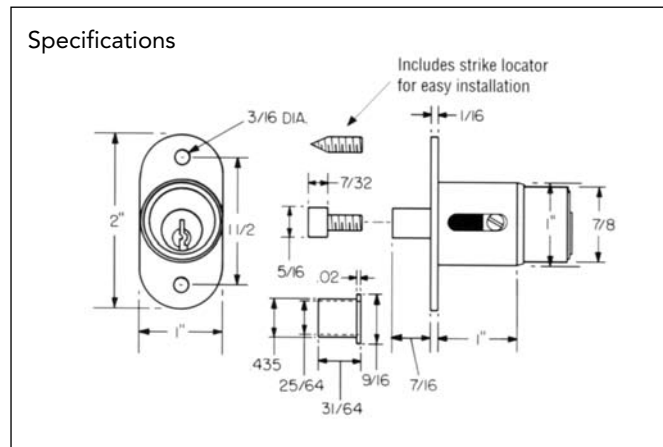
Schlage "C" keyway. Re-keyable pin tumbler lock. Pinned for 5, drilled for 6. Dull Chrome (26D) finish. Keyed alike or different. Pack: 10 each/box. **Material Thickness: 7/8" or 1-3/8".**

Code	Mat. Thick	Key #	List/ea.
200-26D78-107	7/8"	107	\$ 24.56
200-26D78-915	"	915	24.56
200-26D78-G0001	"	G0001	24.56
200-26D78-G0002	"	G0002	24.56
200-26D78-G0003	"	G0003	24.56
200-26D78-G0004	"	G0004	24.56
200-26D78-G0005	"	G0005	24.56
200-26D78-KD	"	Keyed Diff.	24.56
200-26D138-107	1-3/8"	107	24.56
200-26D138-915	"	915	24.56
200-26D138-G0001	"	G0001	24.56
200-26D138-G0002	"	G0002	24.56
200-26D138-G0003	"	G0003	24.56
200-26D138-G0004	"	G0004	24.56
200-26D138-G0005	"	G0005	24.56
200-26D138-G0006	"	G0006	24.56
200-26D138-G0007	"	G0007	24.56
200-26D138-G0008	"	G0008	24.56
200-26D138-G0009	"	G0009	24.56
200-26D138-KD	"	Keyed Diff.	24.56

Olympus Locks
Commercial Cabinet Drawer Locks
Plunger Lock - Rekeyable



300SD - Plunger Lock



Speed release mechanism for easy rekeying. Pin tumbler cylinder drilled for 5-pin. Includes strike locator for accurate installation. Dull Chrome finish (26D). Keyed alike or different. **Material Thickness: 7/8"**. 20 per/bx.

<u>Code</u>	<u>Key #</u>	<u>List/ea.</u>
300SD-26D-G0001	G0001	\$ 41.72
300SD-26D-G0002	G0002	41.72
300SD-26D-G0003	G0003	41.72
300SD-26D-G0004	G0004	41.72
300SD-26D-G0005	G0005	41.72
300SD-26D78-915	915	41.72
300SD-26D78-KD	Keyed Diff.	41.72

Olympus Locks Accessories

Sales Bulletin
Oct 2008

DCP Padlockable Cam Latch

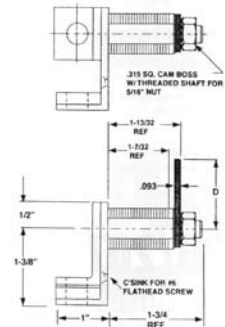
Cam Lock for use with padlock as locking device. Functions on doors and drawers. Ideal for locker applications. Max material thickness: 1-1/8". Barrel diameter: 3/4". US26 finish. 15 per box. Accepts most standard padlocks with a shackle diameter of 3/8" or less.

DCP-US26

List: \$ 14.04/ea.



Dimensions

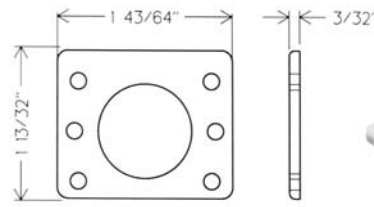


WP21 Spacer, Internal for small pin locks

Thickness: 3/32" thick shim for flush mounting face of lock with face of cabinet. For 7/8" dia. locks.

WP21

List: \$ 1.36/ea.



WP21

12-2 Large Angle Strike

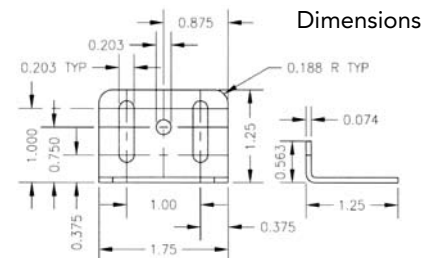
Heavy duty angle strike. 26D finish.

12-2

List: \$ 1.84/ea.



12-2



10-055 Plastic Bar Strike

1/2" bar strike. White plastic finish.

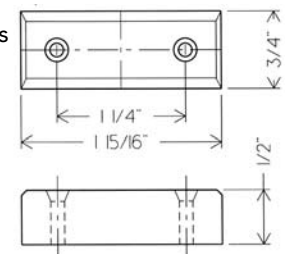
10-055

List: \$ 1.84/ea.



10-055

Dimensions



KB-GM2MK-NP National Keyway Cut Keys

Cut master key for National GM2 (5-pin) master key system.

KB-GM2MK-NP

List: \$ 3.12/ea.



Dealer A